

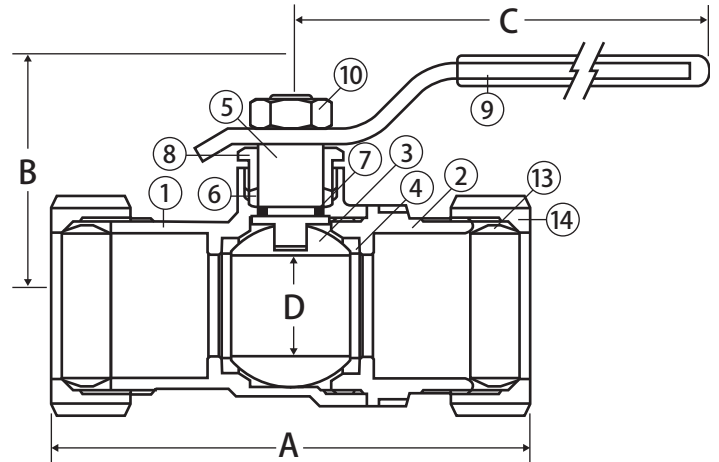
# Brass Ball Valve



**2 Piece • Full Port • Compression Connection • 600 WOG • with Drain**



**C-402**



### Material Specifications

| No. | Part             | Materials                    |
|-----|------------------|------------------------------|
| 1   | Body             | Brass - C37700               |
| 2   | End Connection   | Brass - C37700               |
| 3   | Ball             | Chrome Plated Brass - C37700 |
| 4   | Seat (2)         | PTFE                         |
| 5   | Stem             | Brass - C37700               |
| 6   | Packing          | PTFE                         |
| 7   | Stem O-ring      | Buna-N                       |
| 8   | Packing Gland    | Brass - C37700               |
| 9   | Handle           | Steel - Chrome Plated        |
| 10  | Handle Nut       | Steel - Chrome Plated        |
| 11  | Flat Washer*     | Buna-N                       |
| 12  | Bleeder Cap*     | Brass - C37700               |
| 13  | Compression Ring | Brass - C37700               |
| 14  | Compression Nut  | Brass - C37700               |

\* Not shown in drawing

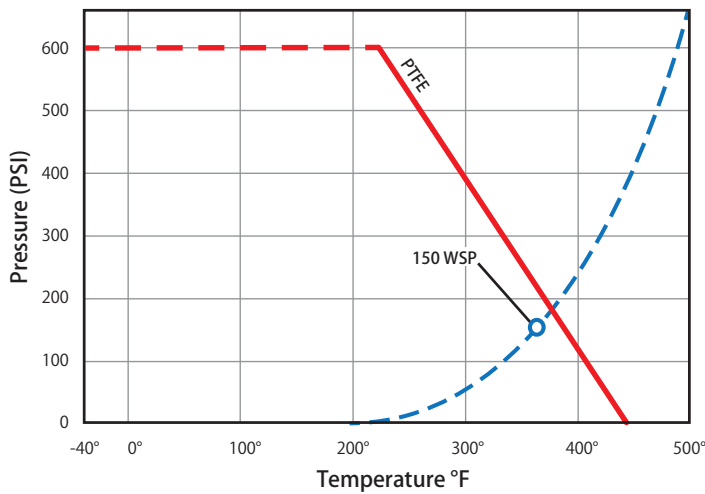
### Dimensions

| Part No. | Size | A    | B    | C    | D    |
|----------|------|------|------|------|------|
| 102-653  | 1/2" | 2.83 | 1.81 | 3.35 | 0.59 |
| 102-654  | 3/4" | 3.31 | 2.36 | 4.29 | 0.75 |
| 102-655  | 1"   | 3.90 | 2.52 | 4.29 | 0.98 |

### Features

- Drain feature prevents freeze-up
- Eliminates seat damage during soldering
- Compression ends ease maintenance
- Blow-out proof stem
- 100% leak tested

### Valve Seat Rating 600 WOG - 150 WSP



**WARNING:** This product can expose you to chemicals including lead, which is known to the State of California to cause cancer, and lead, which is known to the State of California to cause birth defects or other reproductive harm. For more information go to [www.P65Warnings.ca.gov](http://www.P65Warnings.ca.gov).